

TBG04202B



Comfort Wave  
Reduce The  
Water  
Technology



### FEATURES

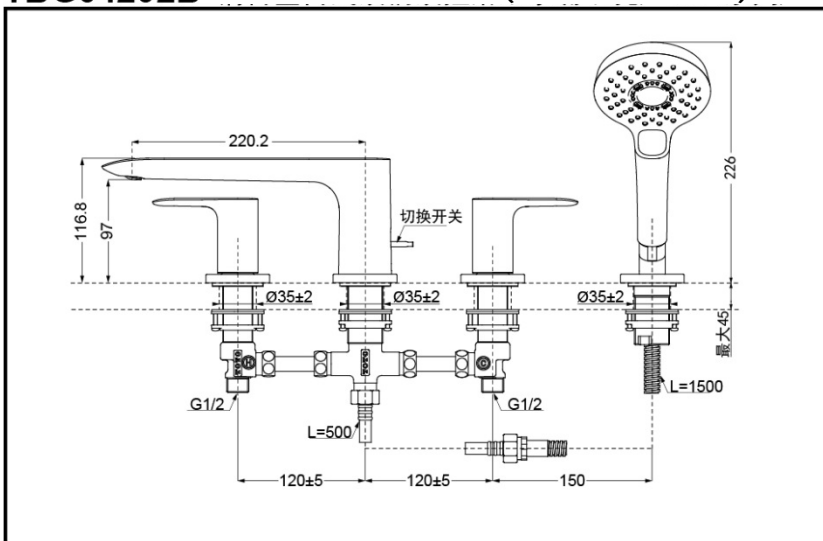
- Elegant appearance.
- Beautiful curves reveal elegant taste.
- Easy installation and usage.

### SPECIFICS

Water Inlet Requirement :  
0.05MPa(Dynamic  
Pressure)~1.0MPa(Static  
Pressure)

Water Efficiency :  
Grade1(Hand Shower)

### TBG04202B Deck-Mount Tub Filler(W/ Hand Shower)



\*TOTO(CHINA) CO.,LTD. All rights reserved.

### Others

Series : GA